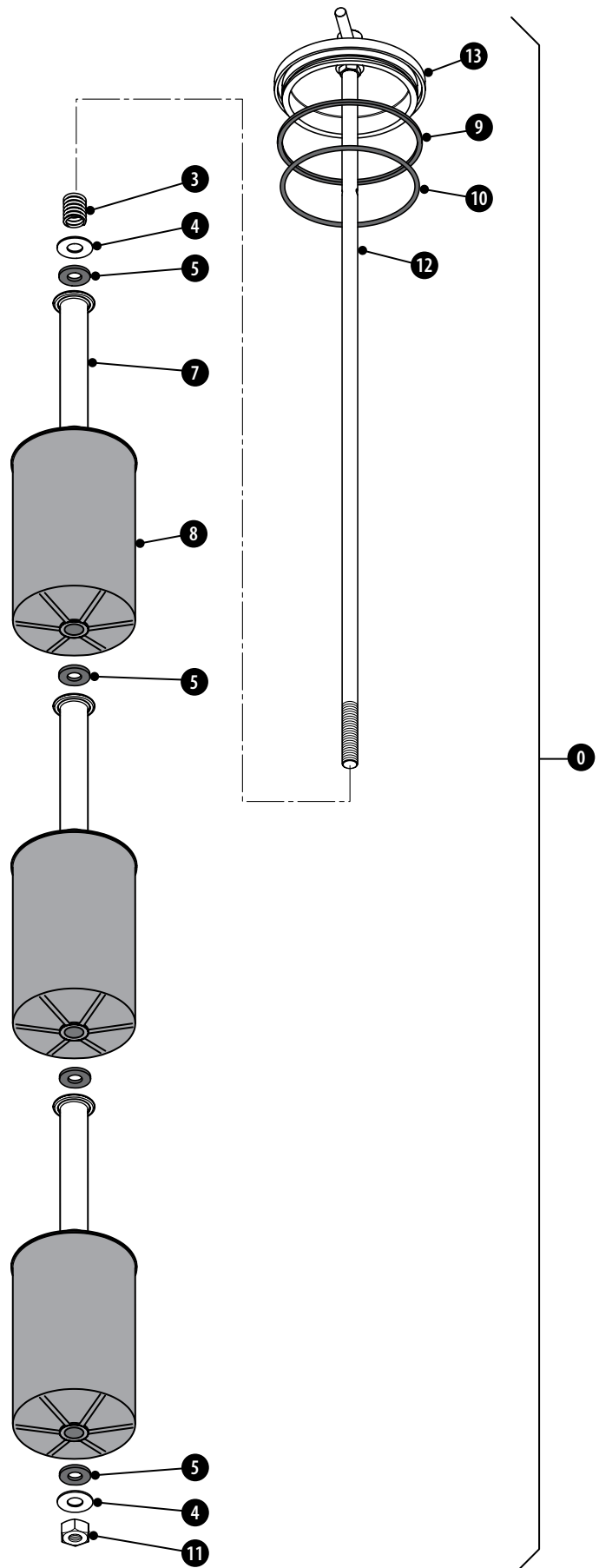
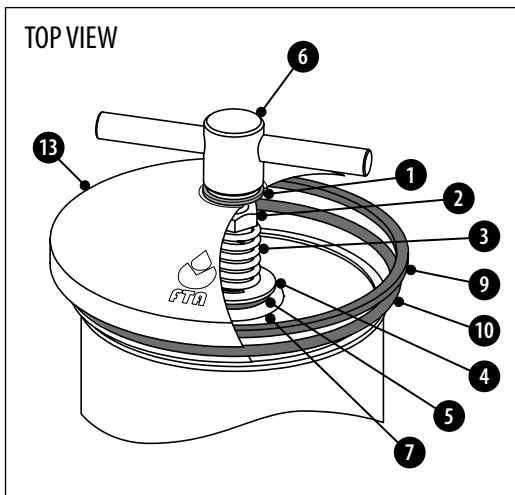


TOP VIEW



Item No	Qty	Description	Part No
0	1	Engine oil filter Quick Change assembly comprises items 1 – 13.	FM3303
1	1	Washer	FM0002
2	1	Lid lock nut	FM0005
3	1	Lid compression spring	FM0006
4	2	Return tube washer	FM0007
5	4	Post seal	FM0008
6	1	Tee handle with bleed screw	FM0001
7	6	Centre tube	FM0011
8	3	Element, oil	FM2000
9	1	Gasket, lid	FM0004
10	1	O-Ring, lid	FM0025
11	1	Compression nut	FM0029
12	1	Return tube - No 3	FM0042
13	1	Lid	FM0003